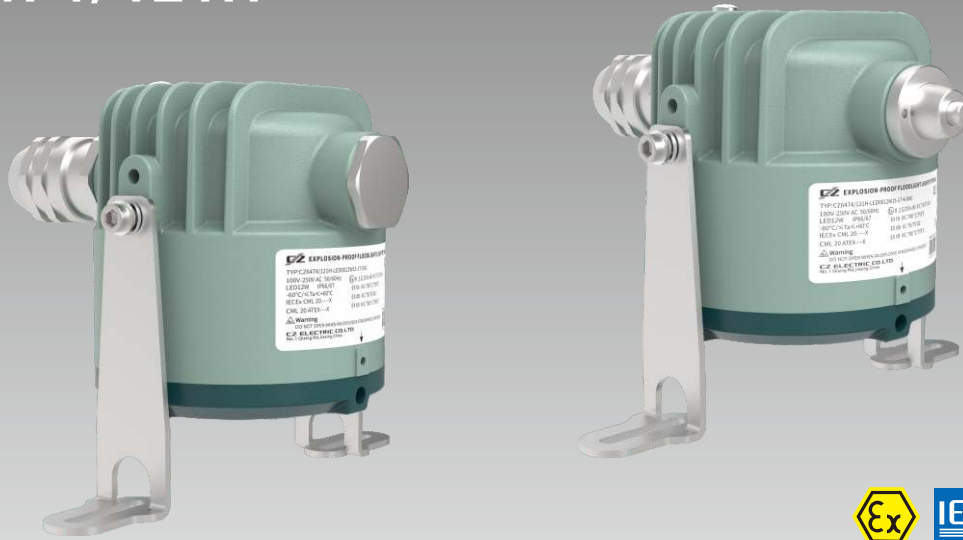


# CZ6474/121H


**B**

## 描述 Descriptions

防爆灯外壳由铝合金压铸成型，表面喷涂纯环氧树脂粉末，抗腐蚀性能好。透明罩采用钢化玻璃，外露紧固件采用不锈钢材料。防爆灯配隔爆型电缆密封套直接引入，防爆灯具内部独特的隔热设计与外部高密度的散热片相结合散热效果更佳。

防爆灯为IIC级LED防爆灯，既适用于潜在的爆炸性环境，也适用于具有强腐蚀性的石化、化学场所等。

防爆灯额定功率12W，可直接安装在化工场所的容器、搅拌器、反应釜等设备上，作为局部照明用。

防爆灯为支架灯。

防爆灯可选配开关，可实现快速接通、关断电源。

防爆灯可选配柔光罩，使光照更加柔和。

防爆灯可安装在符合DIN28120标准的观察窗上（DIN40、DIN50、DIN80、DIN100、DIN125）。

- 长寿命免维护，使用寿命长达50000小时，可实现长期免维护
- 具有良好的电磁兼容性，不会对系统电网造成干扰
- LED属于固态光源，抗震性能佳
- 隔爆最高等级IIC级
- 安装维护方便
- 防护等级高达IP66
- IECEx、ATEX认证

## 1 区和 2 区

## 21 区和 22 区

## Zone 1 and zone 2

## Zone 21 and zone 22

The explosion-proof light fittings shell is made of aluminum alloy die-casting, and the surface is sprayed with pure epoxy resin powder, with good corrosion resistance. The transparent cover is made of tempered glass, and the exposed fasteners are made of stainless steel. The explosion-proof lamp is equipped with flame-proof cable gland for direct entry. The unique heat insulation design inside is combined with the external high-density heat sink, dissipation effect is for better.

The explosion-proof light fittings is IIC LED explosion-proof lamp, which is not only suitable for potentially explosive environment, but also suitable for petrochemical and chemical places with strong corrosivity.

The rated power of explosion-proof light fittings is 12W; it can be directly installed on containers, agitators, reactors and other equipment in chemical places as lighting in the area.

Explosion proof light fittings is bracket type.

The explosion-proof light fittings can be equipped with an optional switch to quickly turn on and off the power supply.

The explosion-proof light fittings can be equipped with diffuser to make the light softer.

The explosion-proof light fittings can be installed on the observation window (DIN40, DIN50, DIN80, DIN100, DIN125) conforming to DIN28120 standard.

- It is long life and maintenance-free which the service life is up to 50000 hours and the maintenance-free of long term.
- There is a feature of good electromagnetic compatibility and it does not cause interference to the system power grid.
- There is a good performance of vibration due to the LED is the solid-state light source.
- The highest flameproof level is IIC.
- It is convenient to be mounted and maintained.
- The degree of protection is up to IP66.
- International IECEx Approval, Europe union ATEX Approval.

**主要数据 Main technical data**

认证 Certification	防爆标志 Ex mark	符合标准 Meet the standard
China	Ex db IIC T6/T5 Gb Ex tb IIIC T80°C/T95°C Db	GB/T3836
IECEX	Ex db IIC T6/T5 Gb Ex tb IIIC T80°C/T95°C Db	IEC60079
ATEX	Ⓜ II 2GD Ex db IIC T6/T5 Gb Ex tb IIIC T80°C/T95°C Db	EN60079

 适用范围：用于 1 区和 2 区  
 用于 21 区和 22 区

 Intended use: Can be used in zone 1 and zone 2  
 Can be used in zone 21 and zone 22

防护等级：IP66

Degree of protection: IP66

额定电压：20 ~ 40V DC/24V AC 50/60Hz

Rated voltage: 20 ~ 40V DC/24V AC 50/60Hz

127~ 250V DC/100 ~ 250V AC 50/60Hz

127~ 250V DC/100 ~ 250V AC 50/60Hz

光源/功率：LED/12W

Light source: LED/12W

色温：标配5000K、(可选3000K、4000K、6500K)

colour temperature : Standard 5000K, (Optional 3000K, 4000K, 6500K)

功率因素：&gt; 0.98

Power factor: &gt; 0.98

使用环境温度：-60°C/-40°C≤Ta≤+40°C/55°C

Ambient temperature: -60°C/-40°C≤Ta≤+40°C/55°C

(-60°C灯具电气设备需要定制)

(-60°C lamp electrical equipment need to be customized)

开关容量：250V AC 5A

Switch capacity: 250V AC 5A

 接线端子：端子 2.5mm<sup>2</sup>，PE 端子 2×10mm<sup>2</sup>

 Terminal: Terminal 2.5mm<sup>2</sup>，PE terminal: 2×10mm<sup>2</sup>

电缆入口：

Cable entry:

**DA1**: 1-M25, 电缆外径：Φ12-19mm (CZ1725/1A)

**DA1**: 1-M25, outside diameter: Φ12-19mm (CZ1725/1A)


1-M25, 空塞堵头 (CZ1725/3A)

1-M25, stopping plug (CZ1725/3A)

**DA0**: 1-M25, 电缆外径：Φ12-19mm (CZ1725/1A)

**DA0**: 1-M25, outside diameter: Φ12-19mm (CZ1725/1A)

**订购规格 Order specifications**

图样 Illustration	柔光罩 Diffuser	光通量 Luminous flux	温度组别T* Temperature class*		开关 Switch	重量(kg) Weight	订购号 Order No.
			Ta≤40°C	Ta≤55°C			
	无 Without	1182 lm	T6	T5	无 Without	1.50	<b>CZ6474/121H-LED0012W5-□□-□-DA1</b>
		1182 lm	T6	T5	有 With	1.45	<b>CZ6474/121H-LED0012W5-□□-□-K-DA0</b>
不带开关 Without switch	有 With	1006 lm	T5	T4	无 Without	1.55	<b>CZ6474/121H-LED0012W5-□□-□-LW+DA1</b>
		1006 lm	T5	T4	有 With	1.50	<b>CZ6474/121H-LED0012W5-□□-□-K-LW+DA0</b>

 不带开关  
Without switch

 带开关  
With switch

 3-3000K  
4-4000K  
5-5000K  
6-6500K

 色温  
Colour temperature

07-20 ~ 40V DC/24V AC 50/60Hz

17-127~ 250V DC/100 ~ 250V AC 50/60Hz

额定电压/频率

Rated voltage/frequency

4 - -40°C≤Ta≤+40°C/+55°C

6 - -60°C≤Ta≤+40°C/+55°C

使用环境温度

Ambient temperature

K-开关 (不配不注) Switch (Optional)

LW-平灯罩 (不配不注) Flat light cover (Optional)

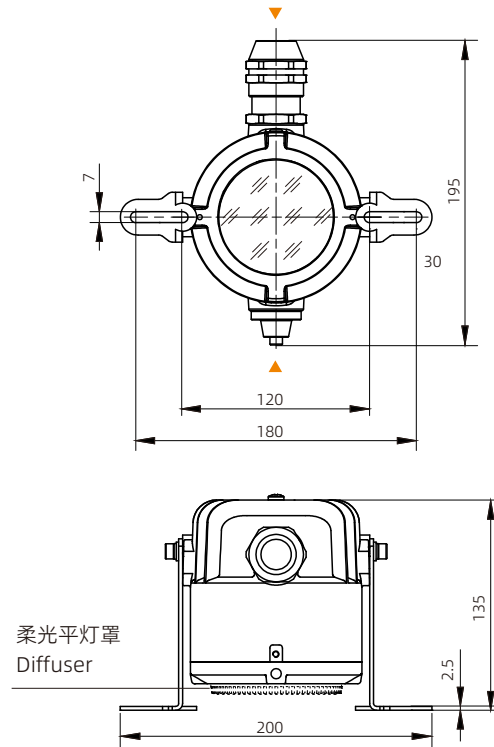
电缆引入装置编码 Code of cable gland

**电缆引入装置编码 Code of cable gland**

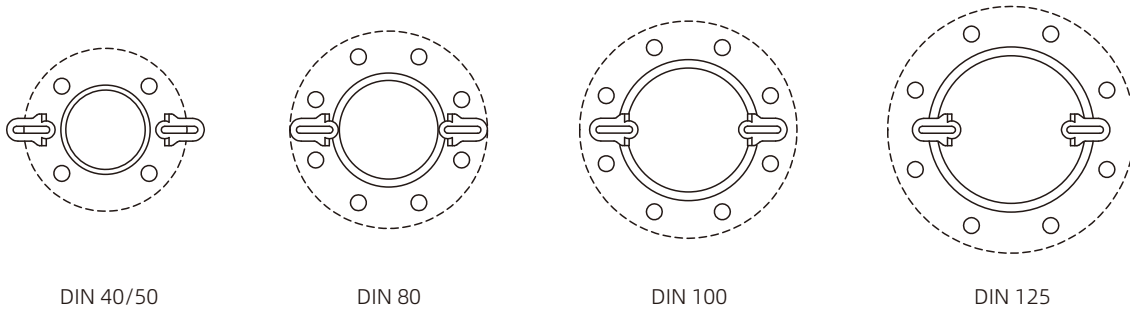
编码 Code	规格 Specifications	电缆直径 Cable diameter
DA0	铜制 1 个 CZ1725/1A M25×1.5 电缆密封套 One brass CZ1725/1A M25×1.5 cable gland	Φ12-19mm
DA1	铜制 1 个 CZ1725/1A M25×1.5 电缆密封套, 1 个 CZ1725/3A M25×1.5 空塞堵头 One brass CZ1725/1A M25×1.5 cable gland, one CZ1725/3A M25×1.5 stopping plug	Φ12-19mm

**外形尺寸 Outline dimensions**

单位 Unit: mm



► 电缆密封套 / 开关入口 Cable entry / Switch

**观察窗尺寸 Windows dimension**


DIN 40/50

DIN 80

DIN 100

DIN 125

